

(NOTE: MAKE HEATER LARGER)

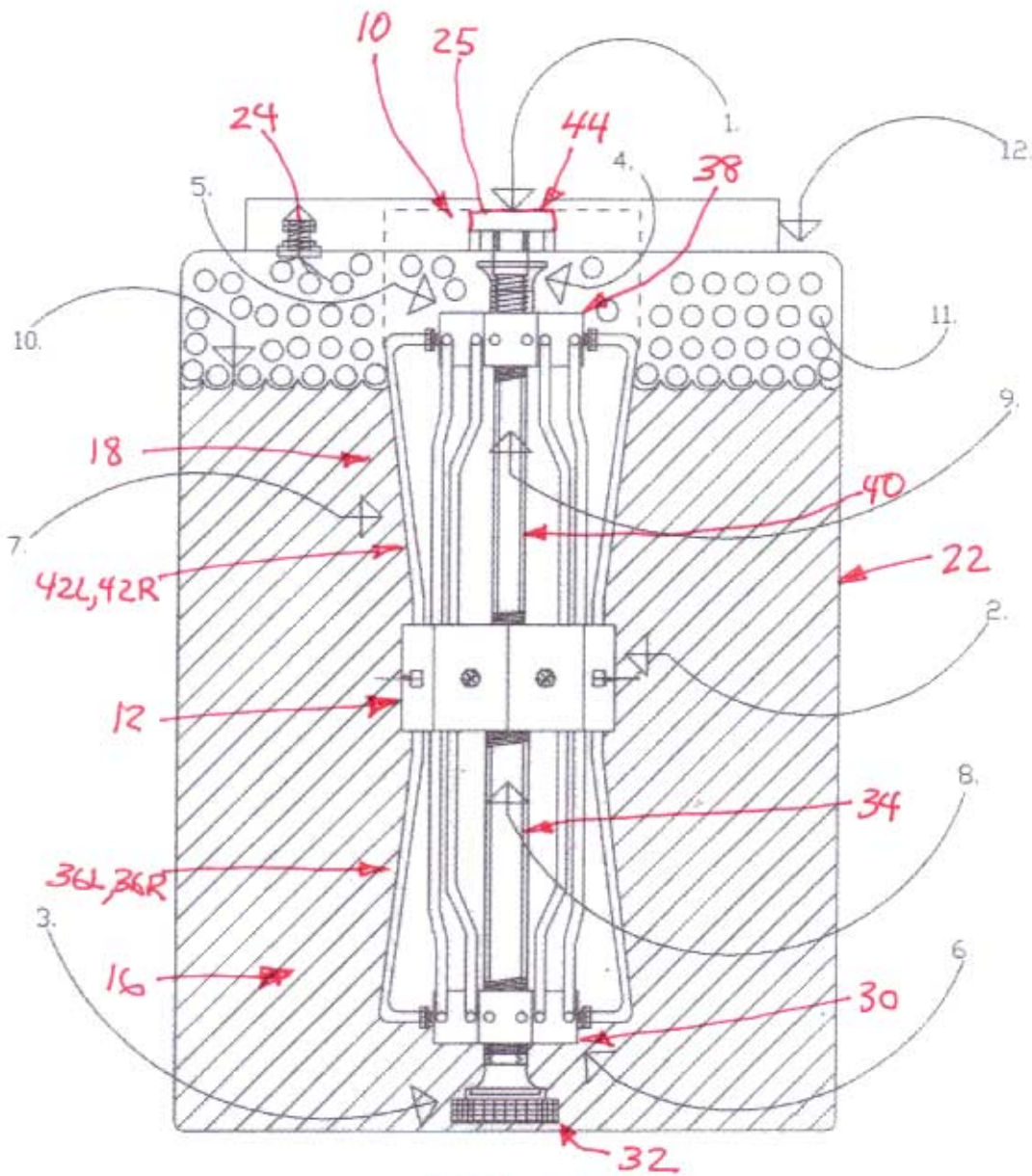


FIG. 2

(NOTE: ~~MAKE~~ MAKE LARGER)

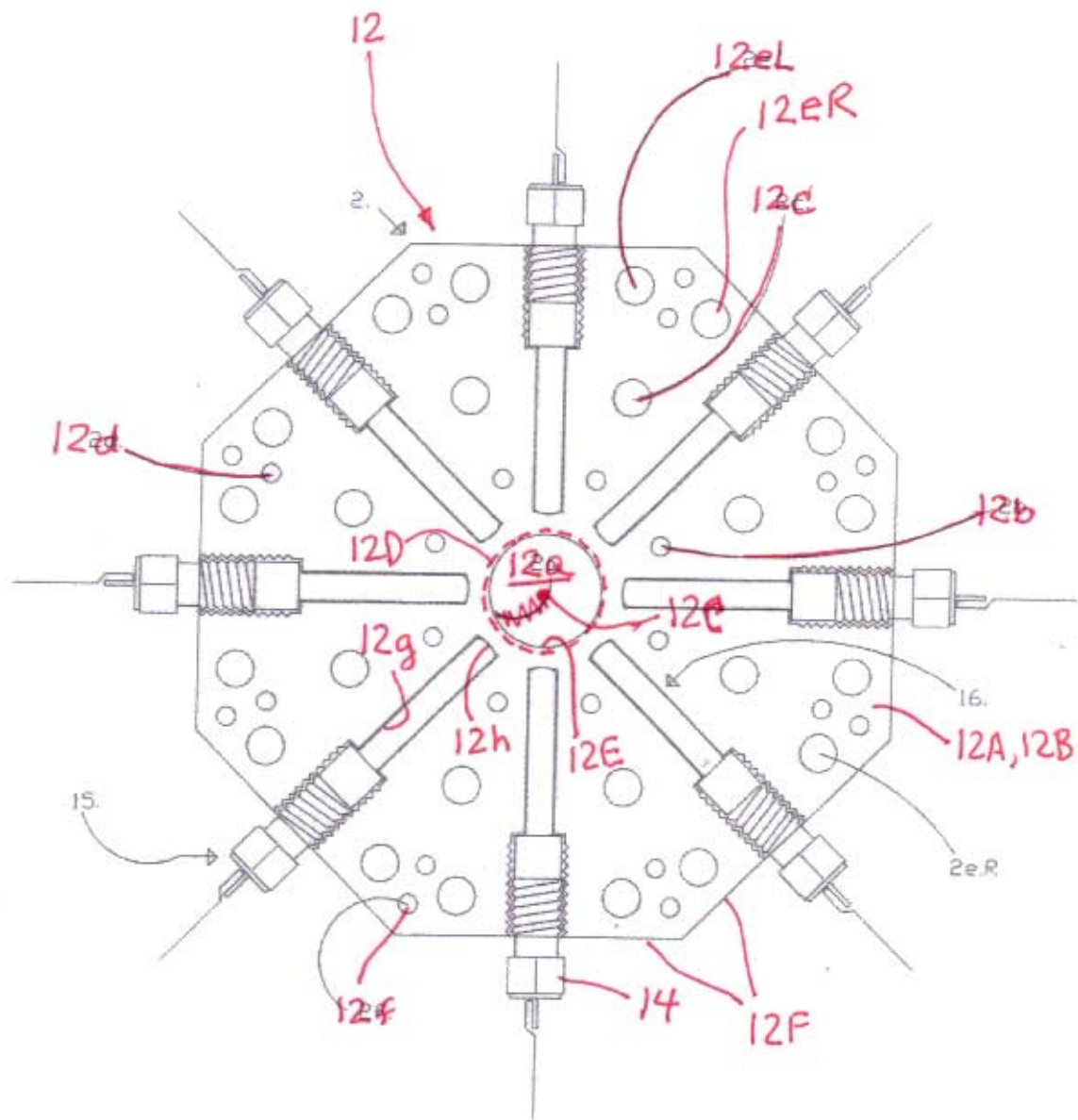


FIG. 3

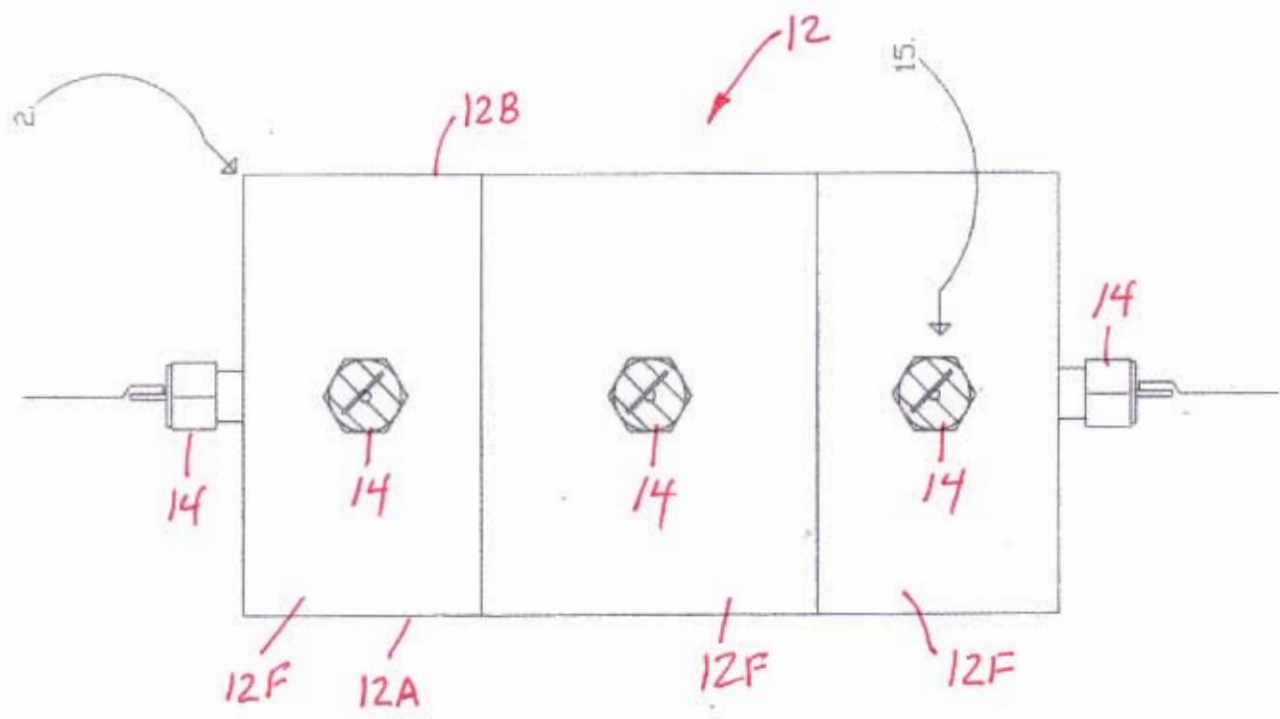


FIG. 4

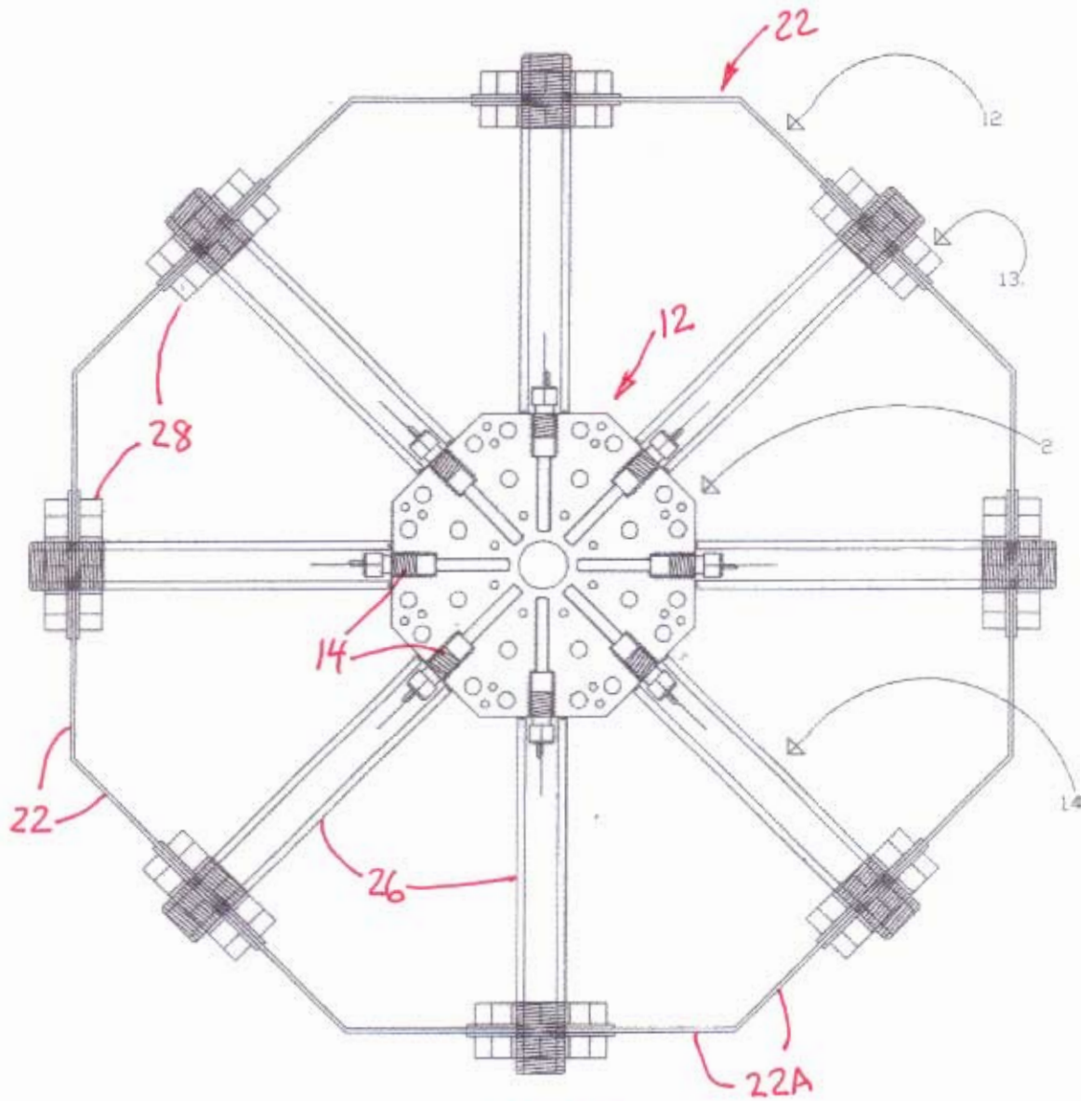
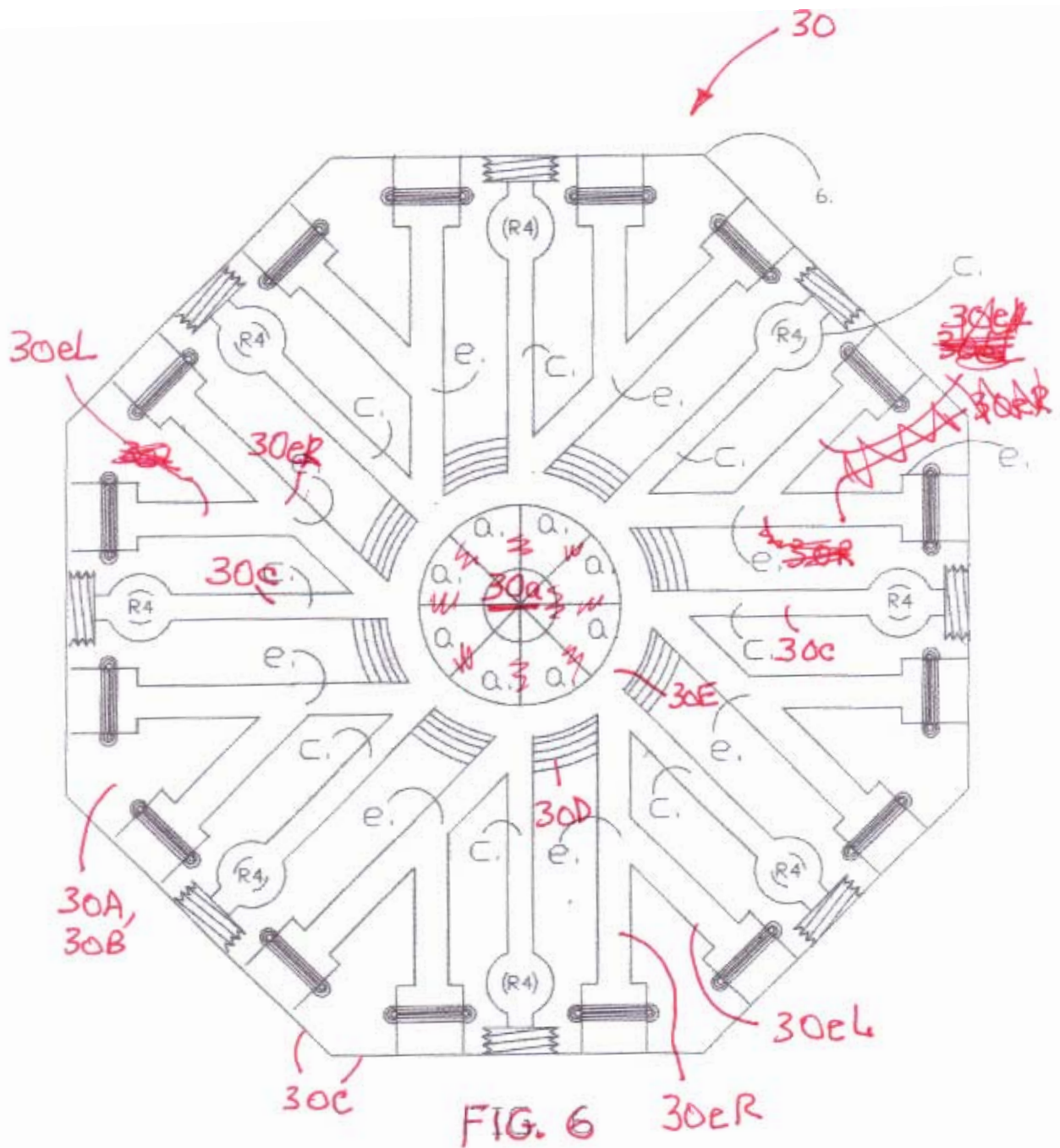


FIG. 5



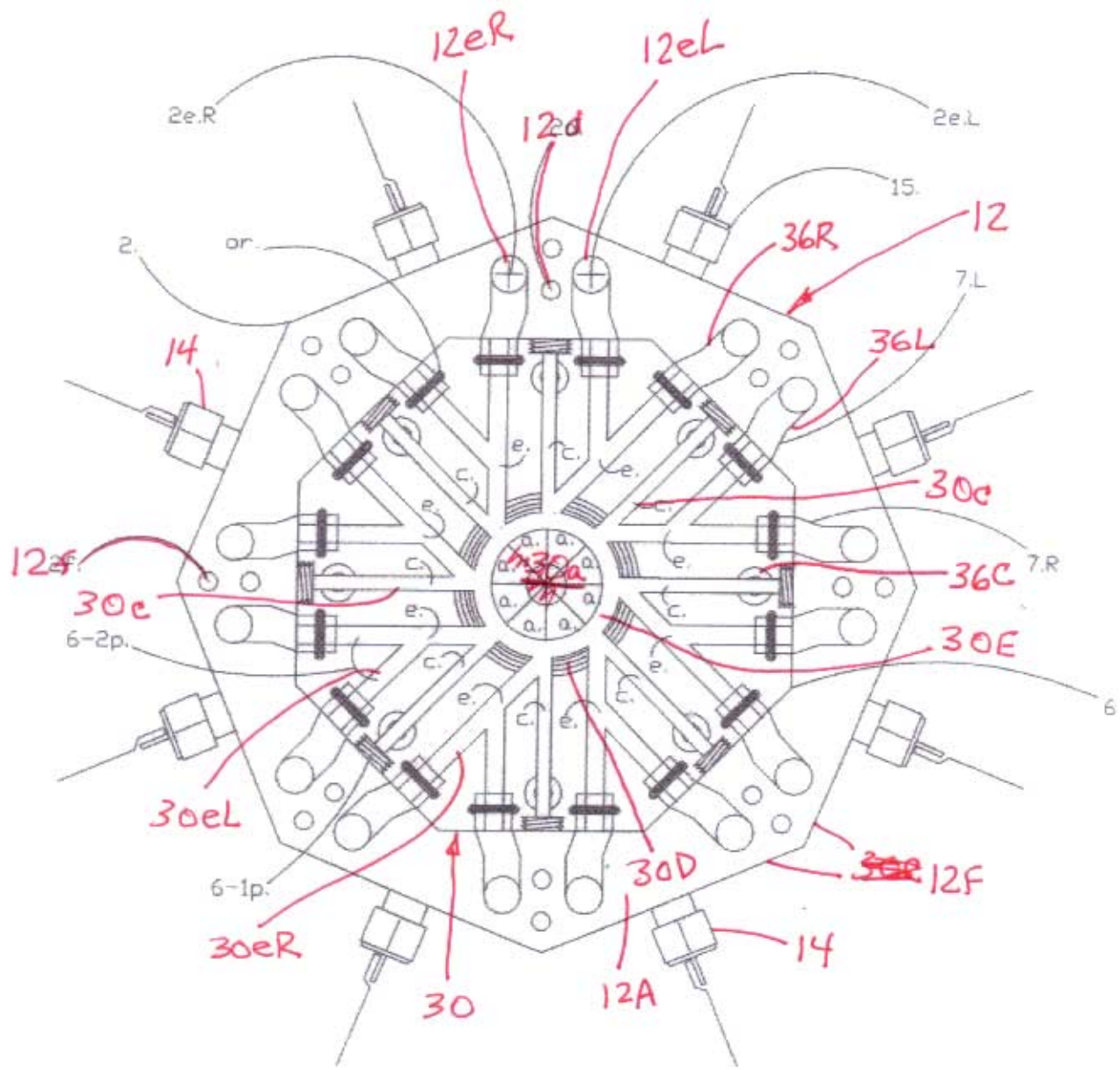


FIG. 7

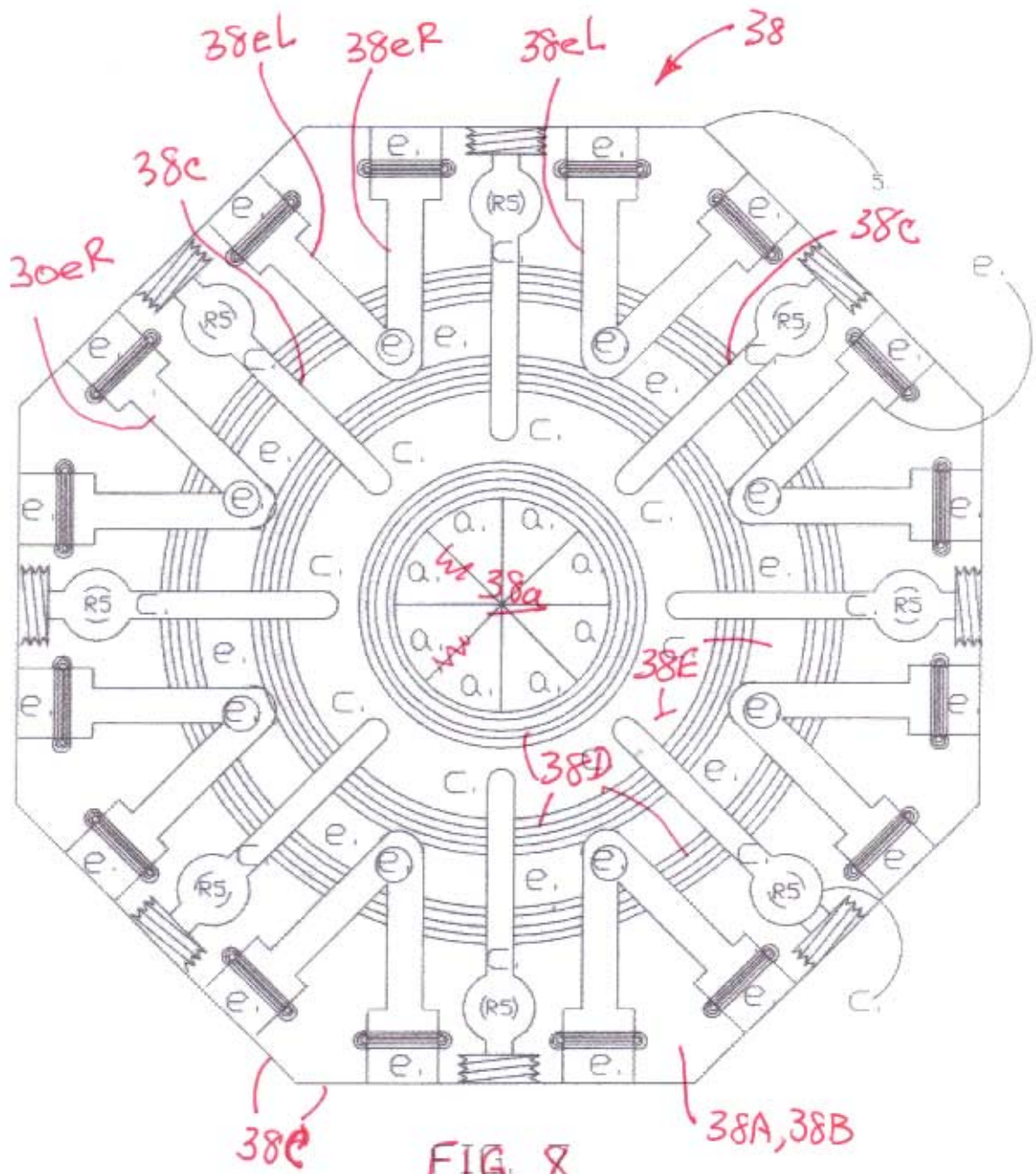


FIG. 8

(REMOVE RADIAL  
 LINES FROM  
 38a  
 SAME IN FIG. 9)



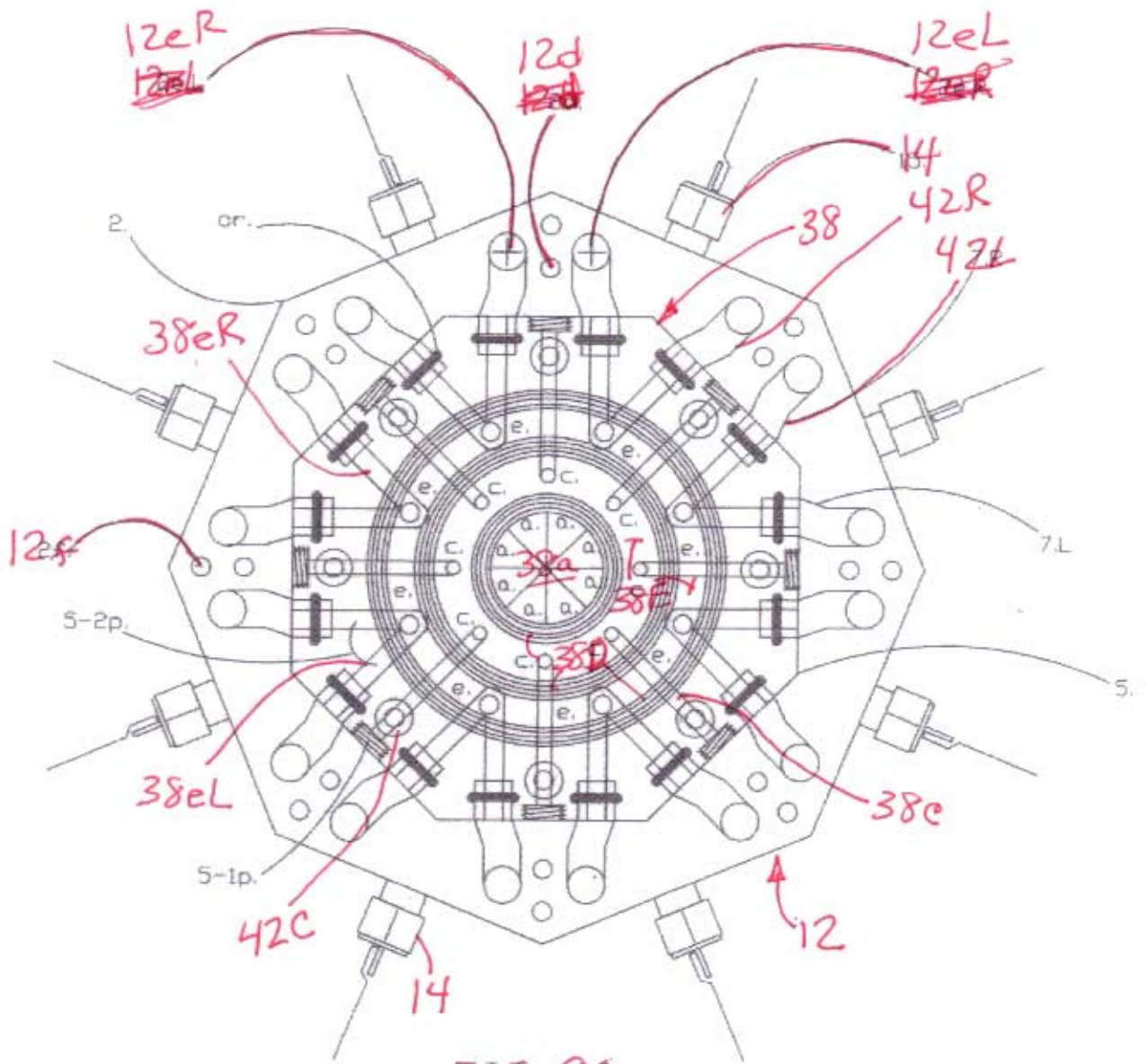


FIG. 9

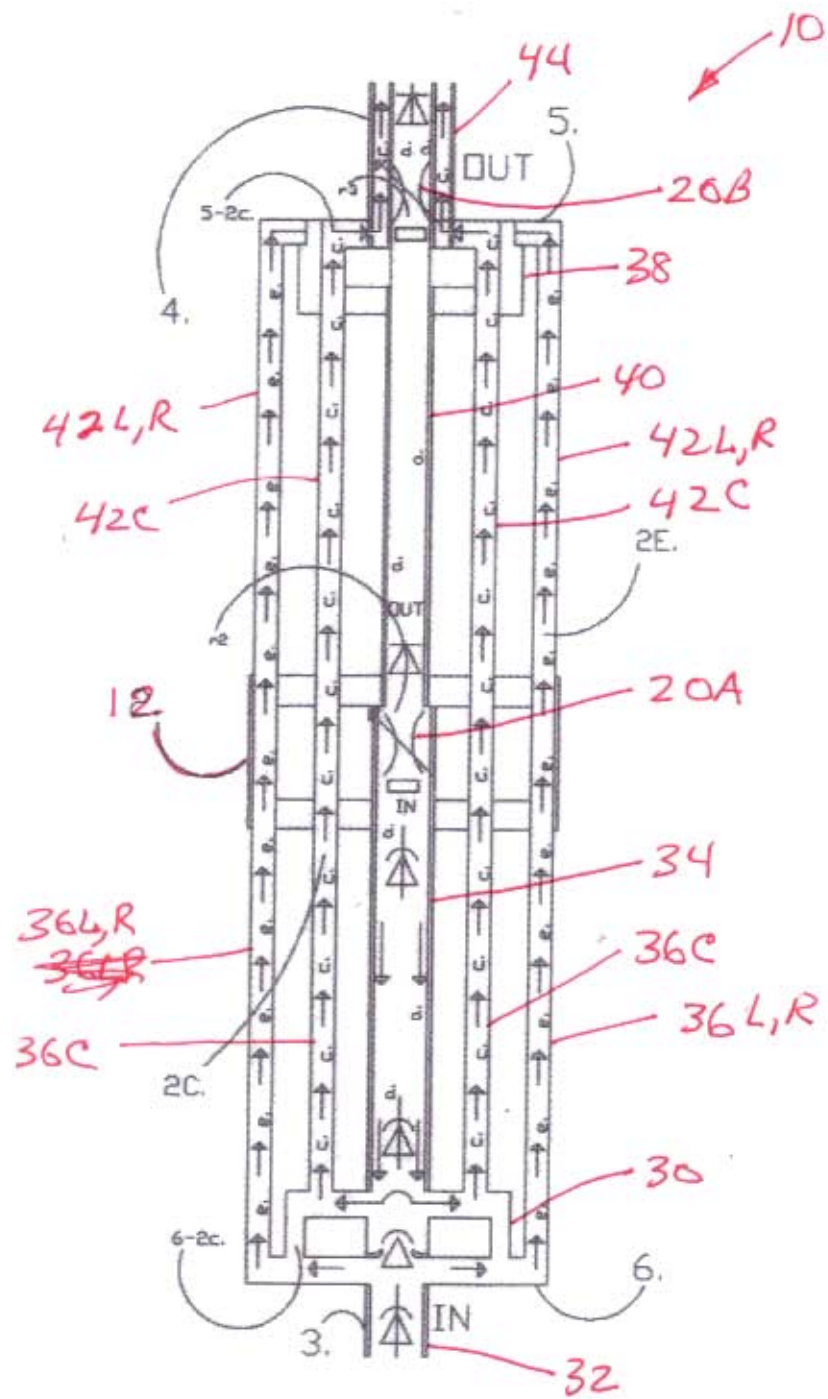


FIG. 10B

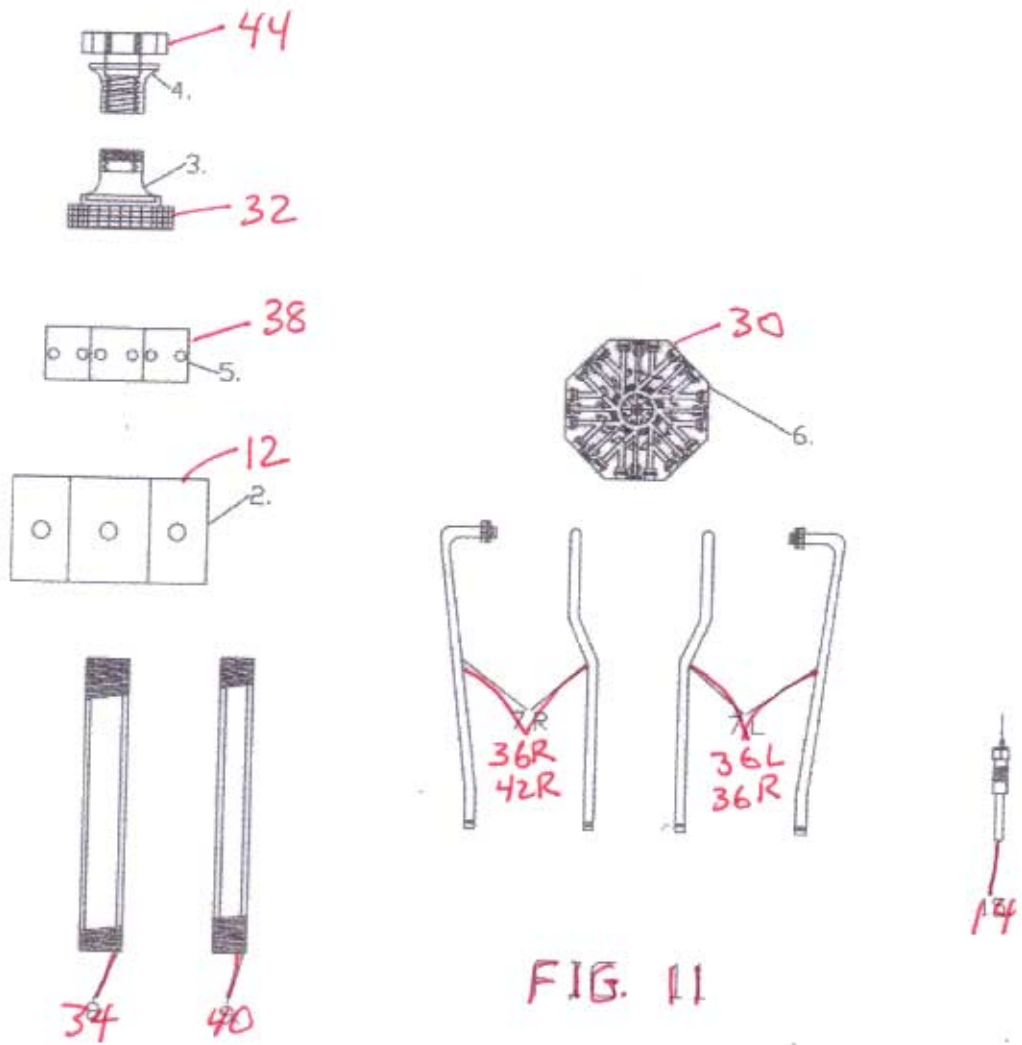
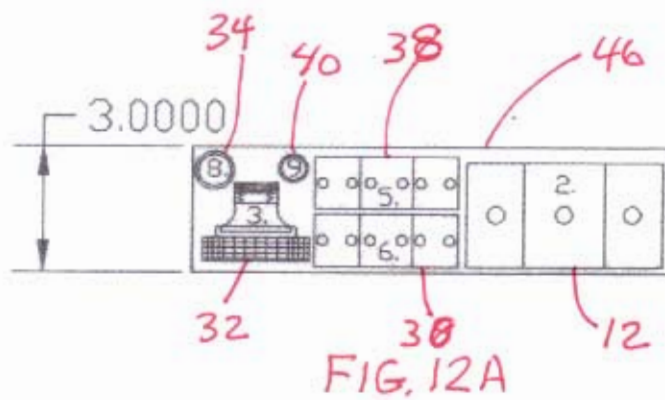
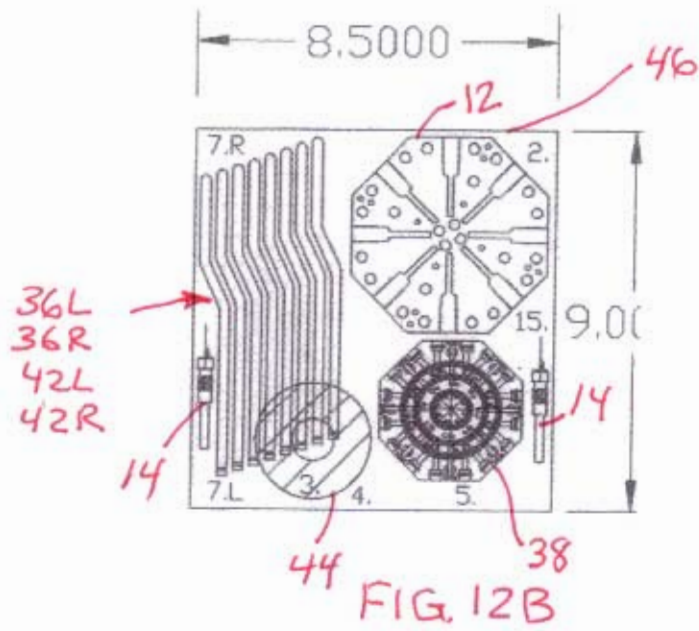


FIG. 11

(NOTE: MAKE PARTS LARGER)



(NOTE: MAKE PARTS LARGER)

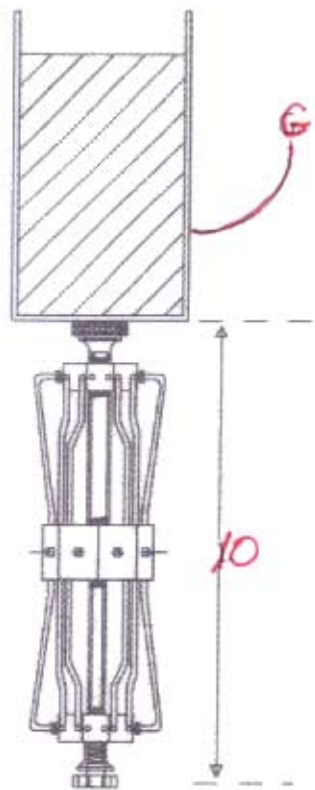


FIG. 13B

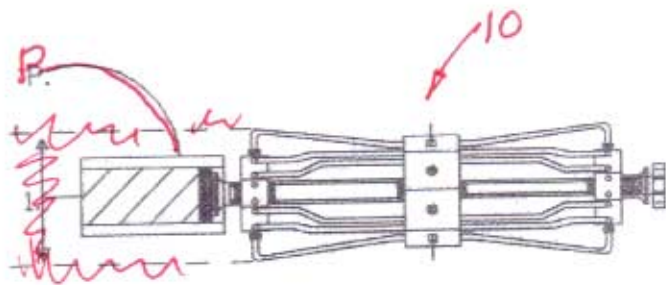


FIG. 13C

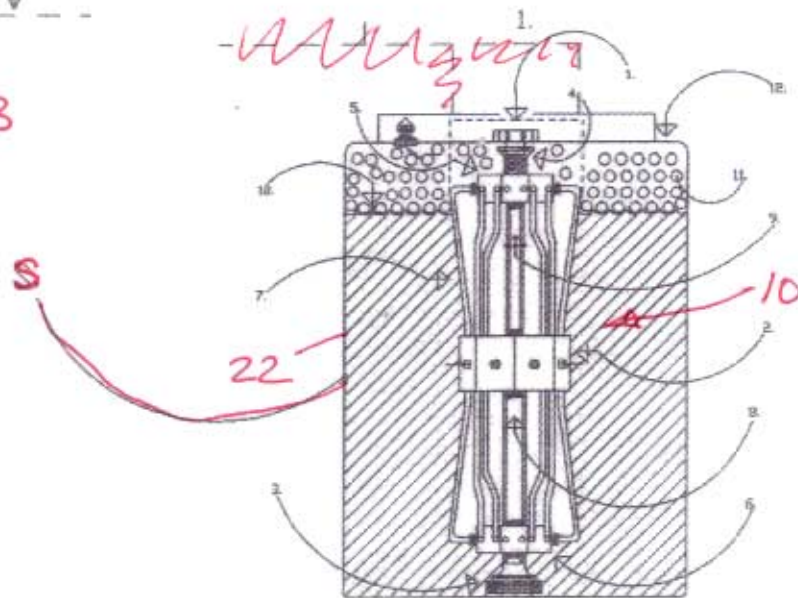


FIG. 13A  
13A